

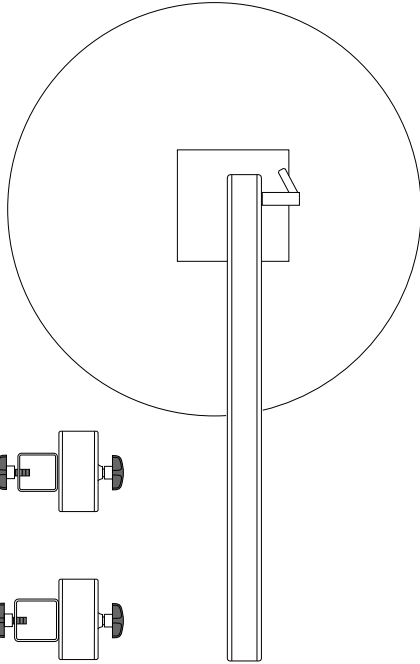


## ASSEMBLY INSTRUCTION

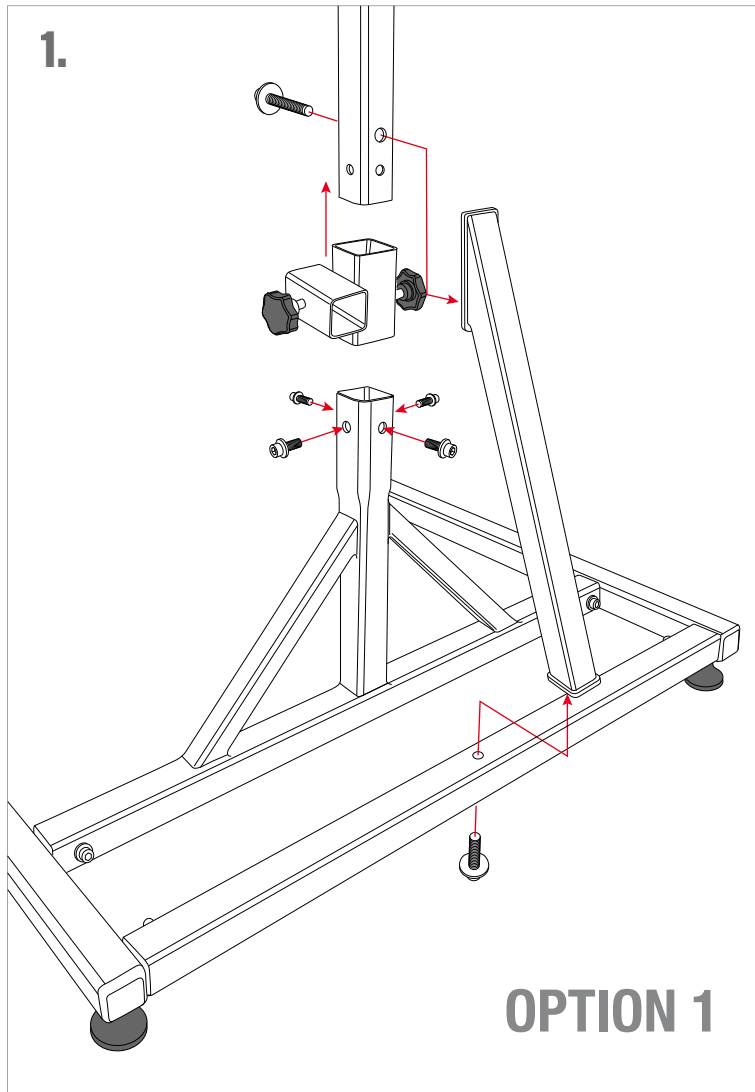
### **GONG / TAM TAM DAMPENING SYSTEM**

TMGS-DS

Applicable for the MEINL Standard (TMGS) or for the Pro Gong / Tam Tam Stand (TMGS-2).

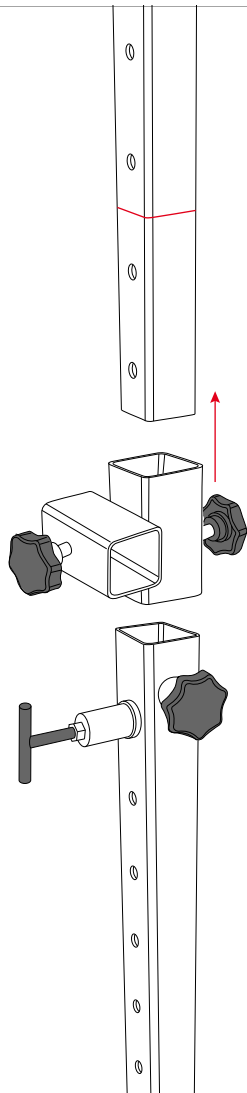


1.



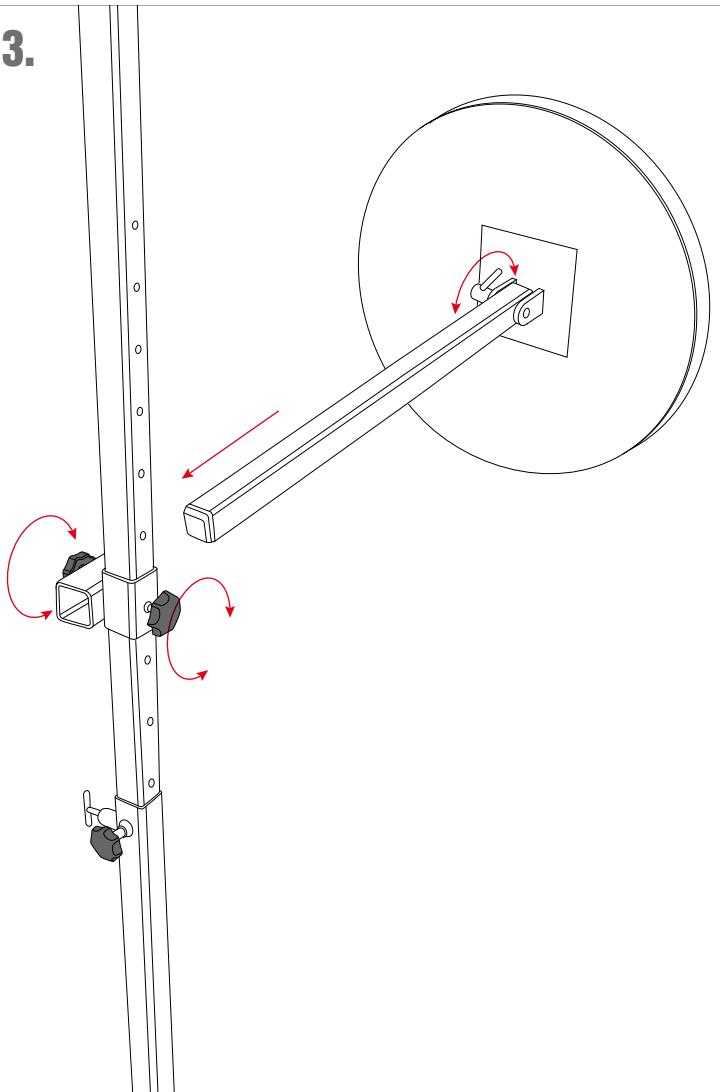
**OPTION 1**

**2.**

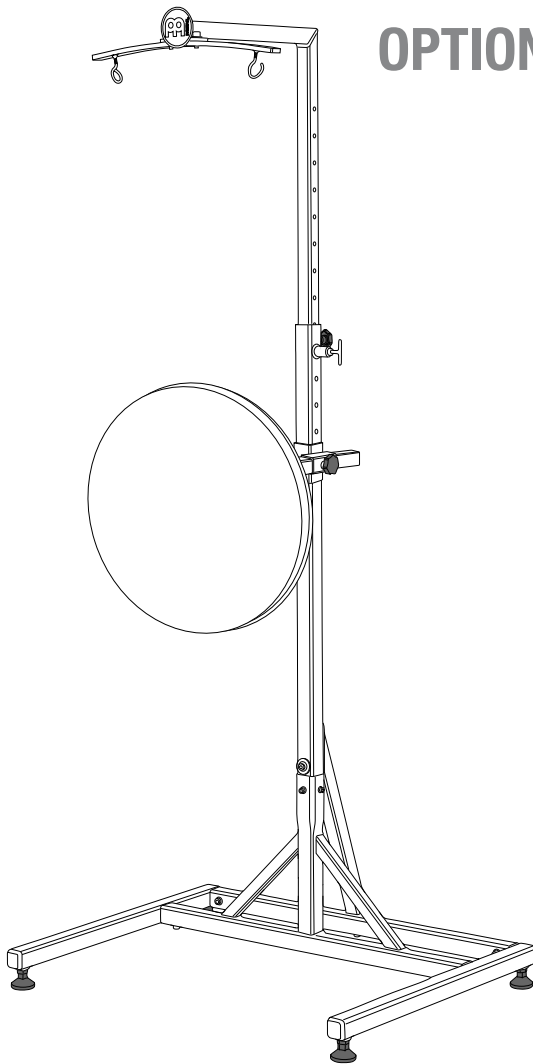


**OPTION 2**

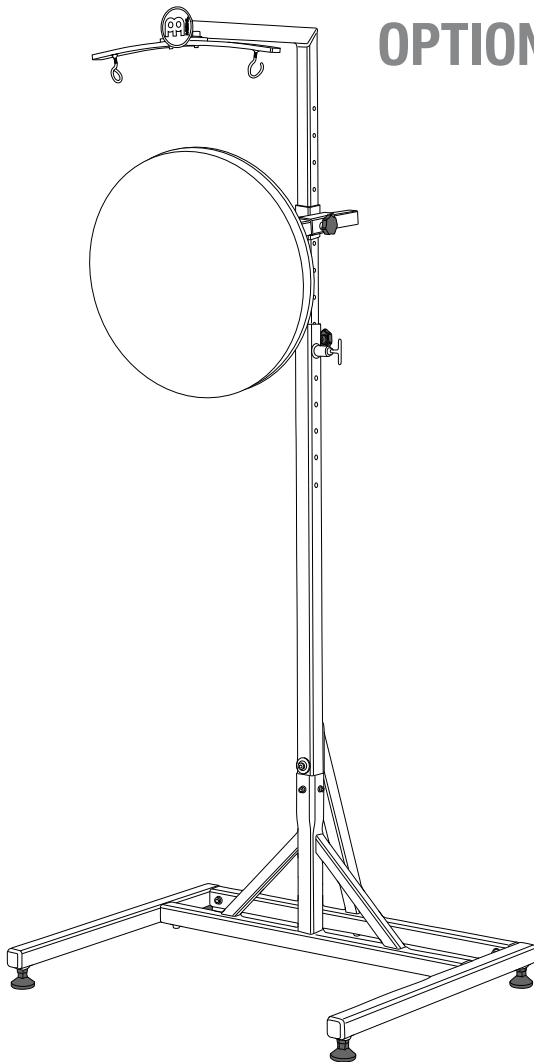
**3.**



# OPTION 1



# OPTION 2





## **GONG / TAM TAM DAMPENING SYSTEM**

TMGS-DS

---

The perfect add-on tool for the MEINL Gong / Tam Tam Stands is the MEINL dampening system. It is designed to consistently mute a gong / tam tam or to variably mute it in a playing situation due to the adjustable dampening pad. It can be adjusted in height to mute all gong or tam tam sizes. It is applicable for the Standard (TMGS) or for the Pro Gong / Tam Tam Stand (TMGS-2).

---

ROLAND MEINL MUSIKINSTRUMENTE GMBH & CO. KG  
MUSIK-MEINL-STR. 1, 91468 GUTENSTETTEN, GERMANY  
INFO@MEINLCYMBALS.COM  
WWW.MEINLCYMBALS.COM