



ASSEMBLY INSTRUCTION

GONG / TAM TAM HOLDER TMGS-3-G

*Applicable for the Meinl Framed Gong/Tam Tam Stand
(TMGS-3)*



4X

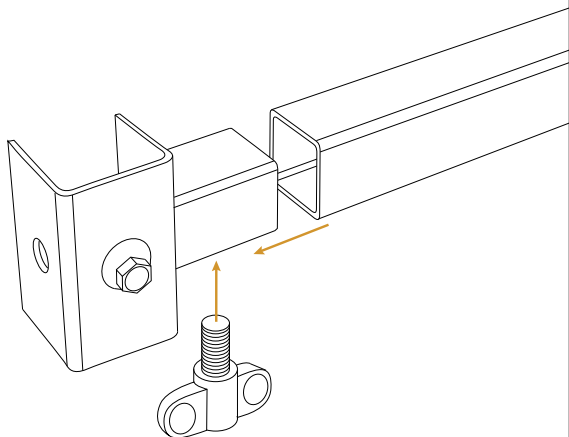


2X



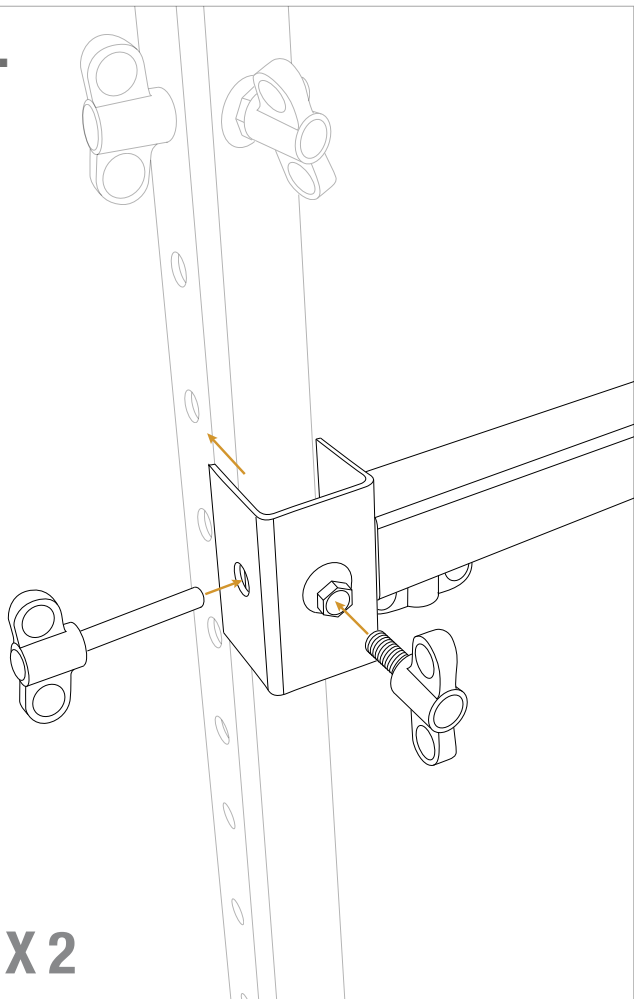
2X

1.



X 2

2.



X2





GONG / TAM TAM HOLDER

TMGS-3-G

The Meinl Framed Gong Holder is designed to be used in conjunction with the Meinl Framed Gong Stand (model no. TMGS-3) to create a double gong stand in which two gongs up to 40" in diameter can be stacked securely on top of each other. The sturdy metal frame is height adjustable and allows gongs to move freely when being played, creating different sound effects.

*Roland Meinl Musikinstrumente GmbH & Co. KG
Musik-Meinl-Str. 1, 91468 Gutenstetten, Germany
info@meinlsonicenergy.com
meinlsonicenergy.com*