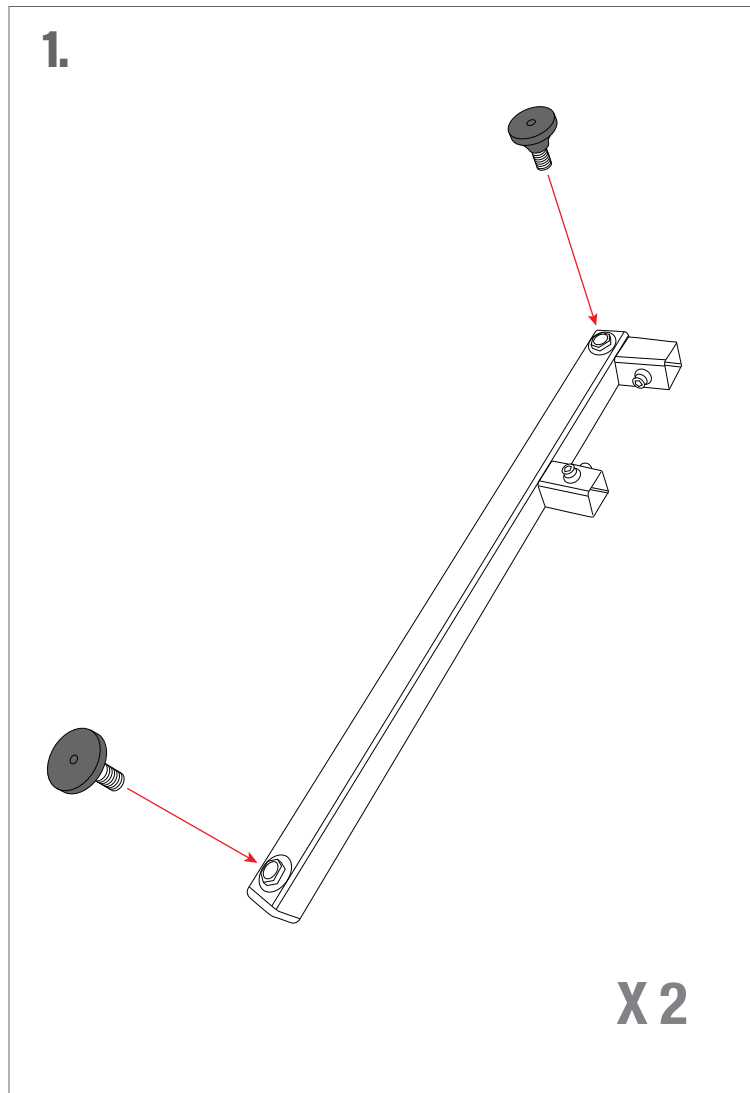
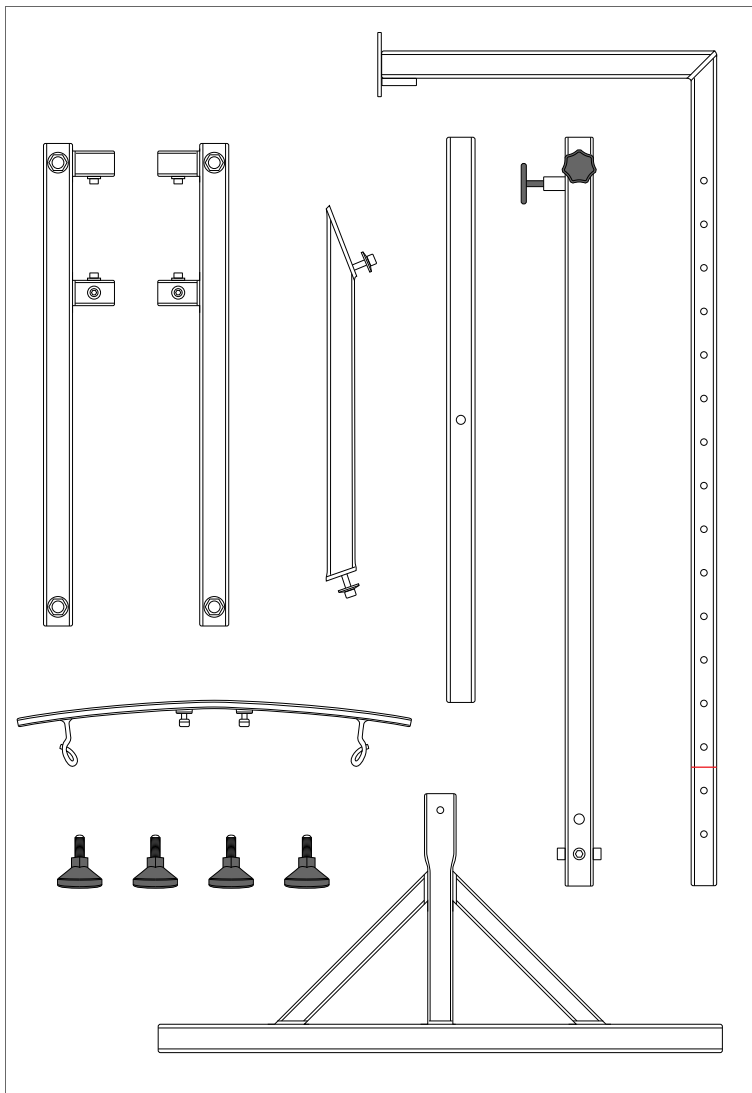




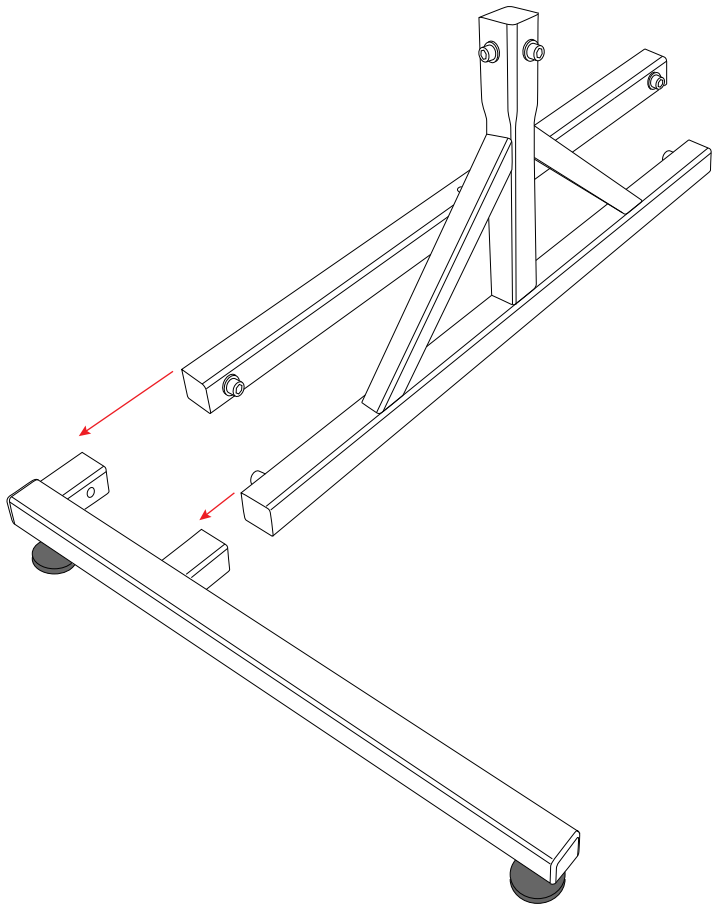
ASSEMBLY INSTRUCTION

PRO GONG / TAM TAM STAND

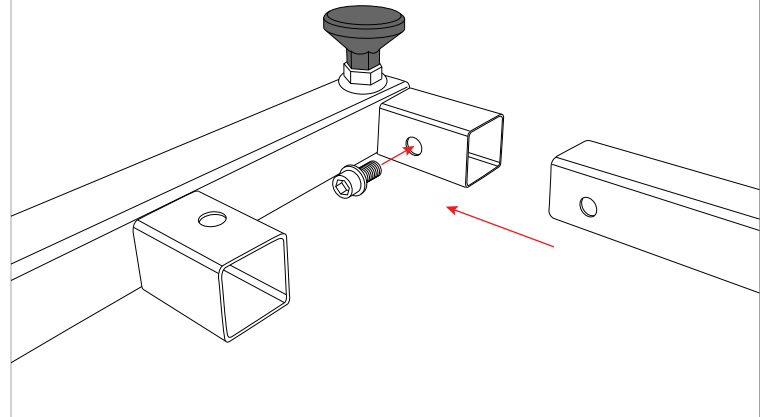
TMGS-2



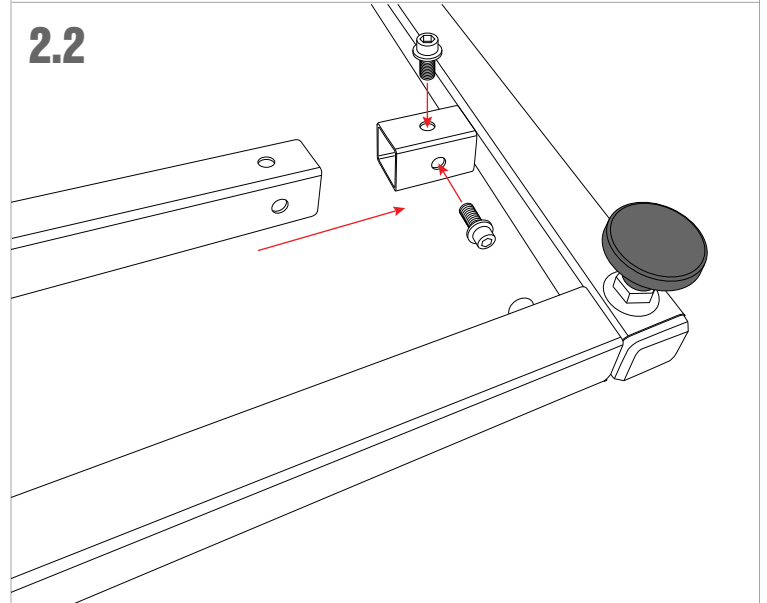
2.



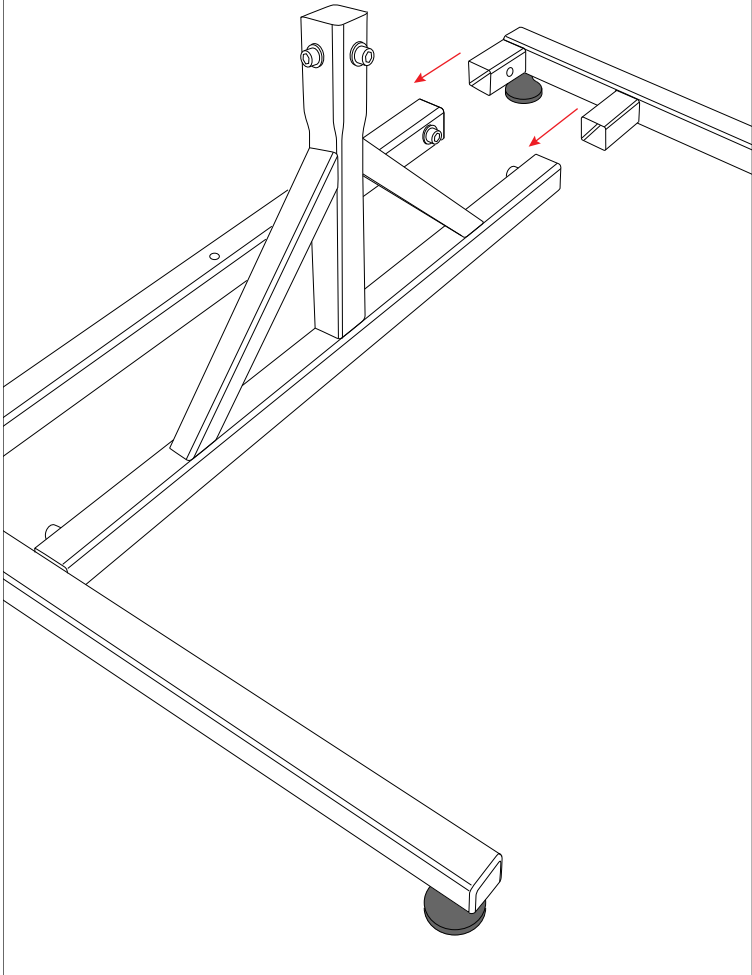
2.1



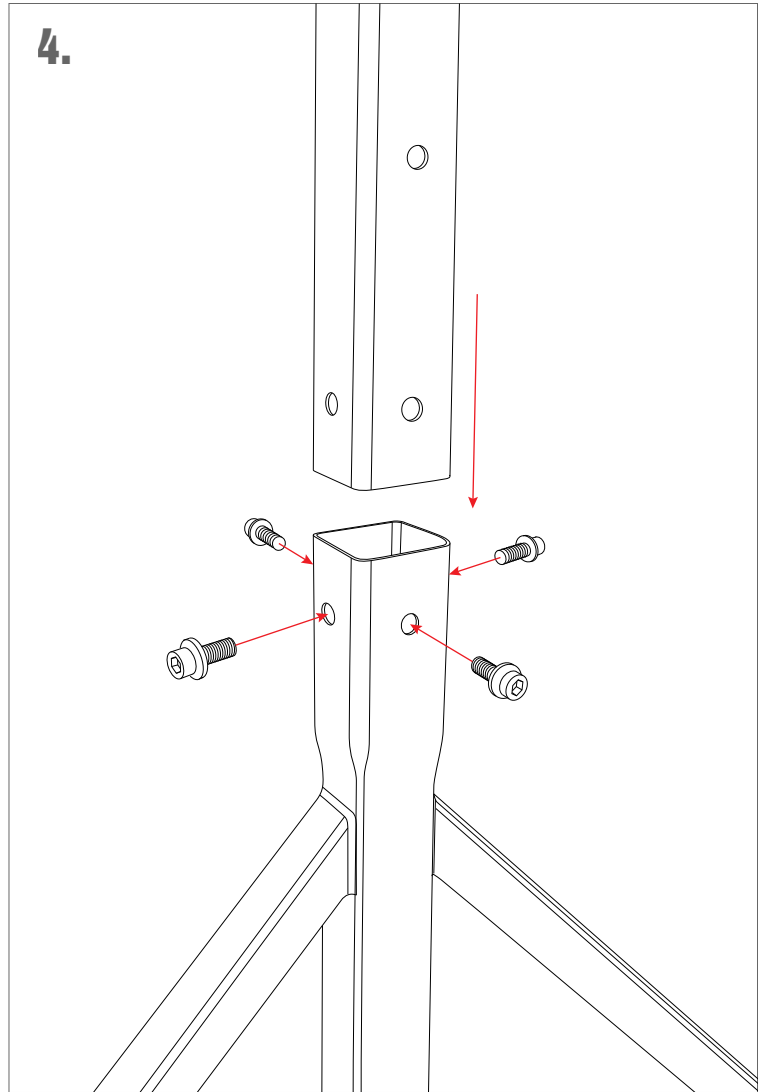
2.2



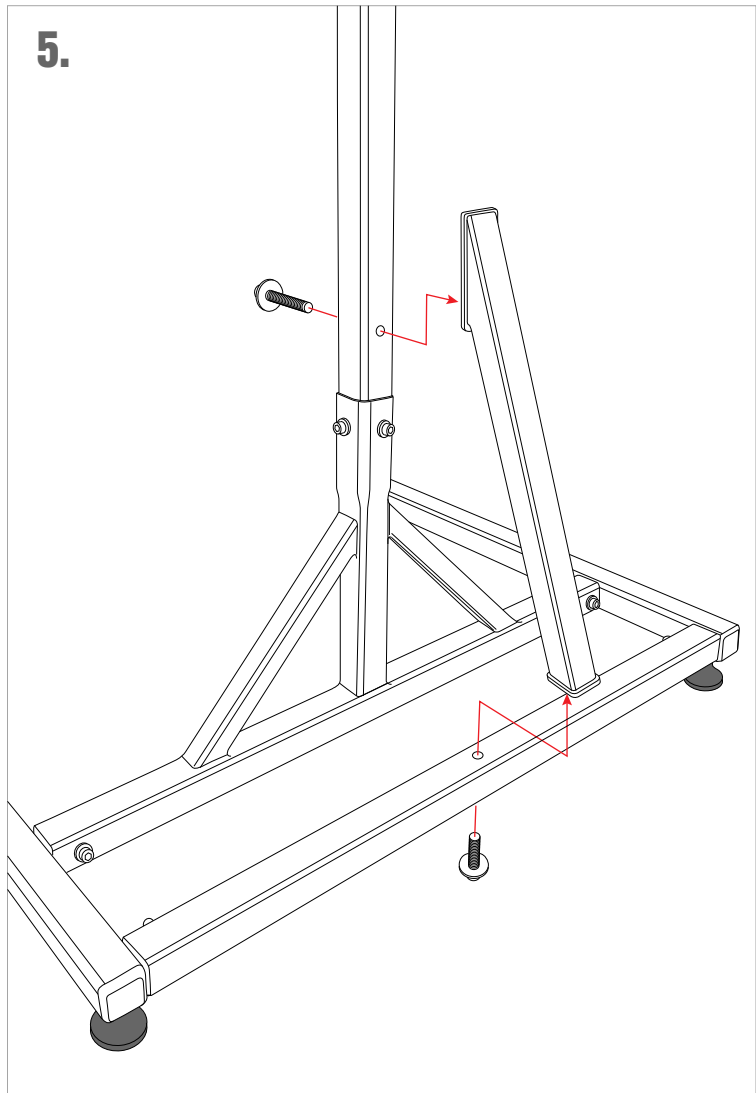
3.



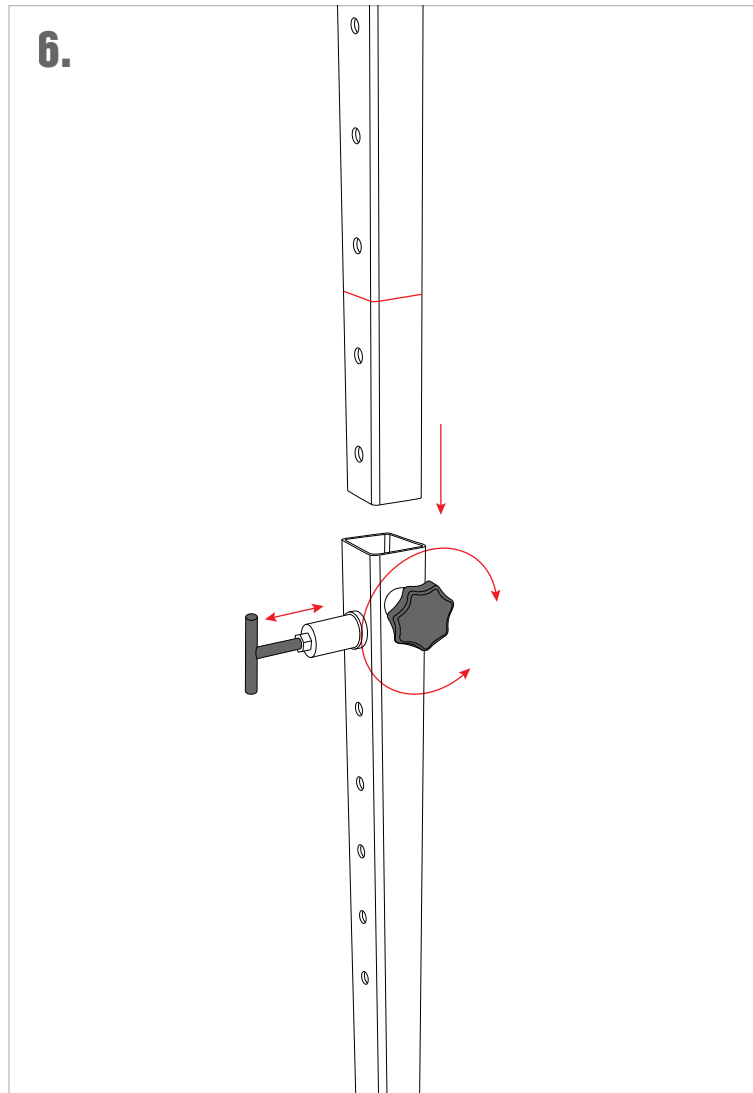
4.



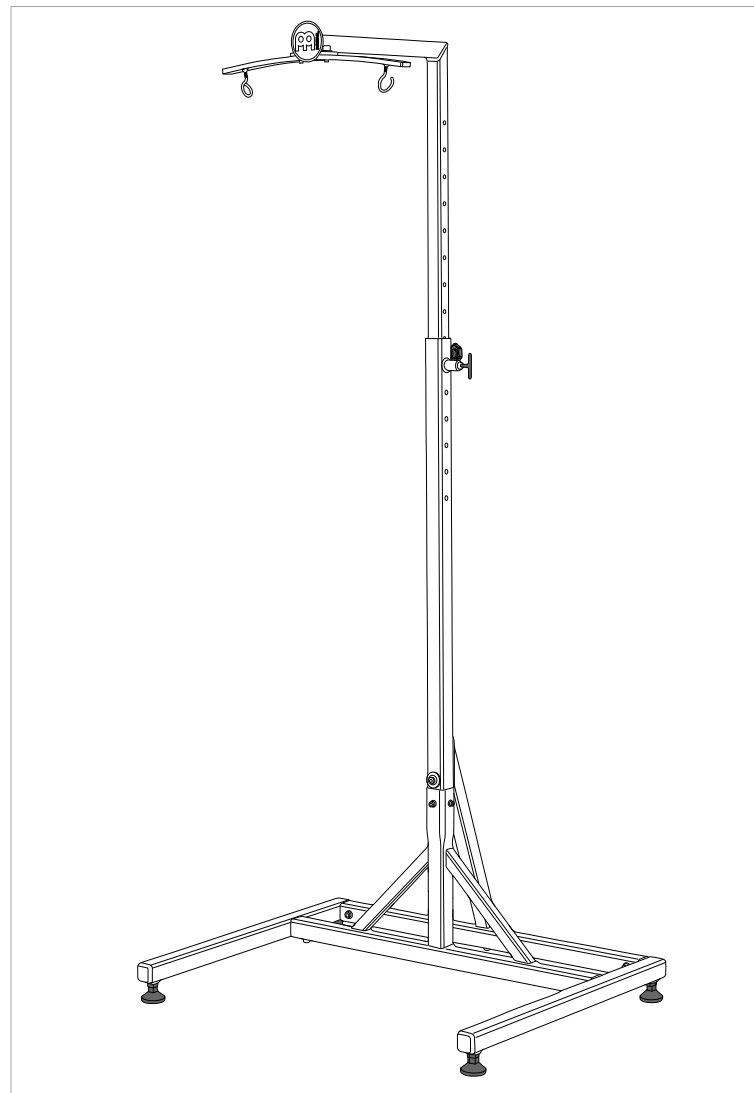
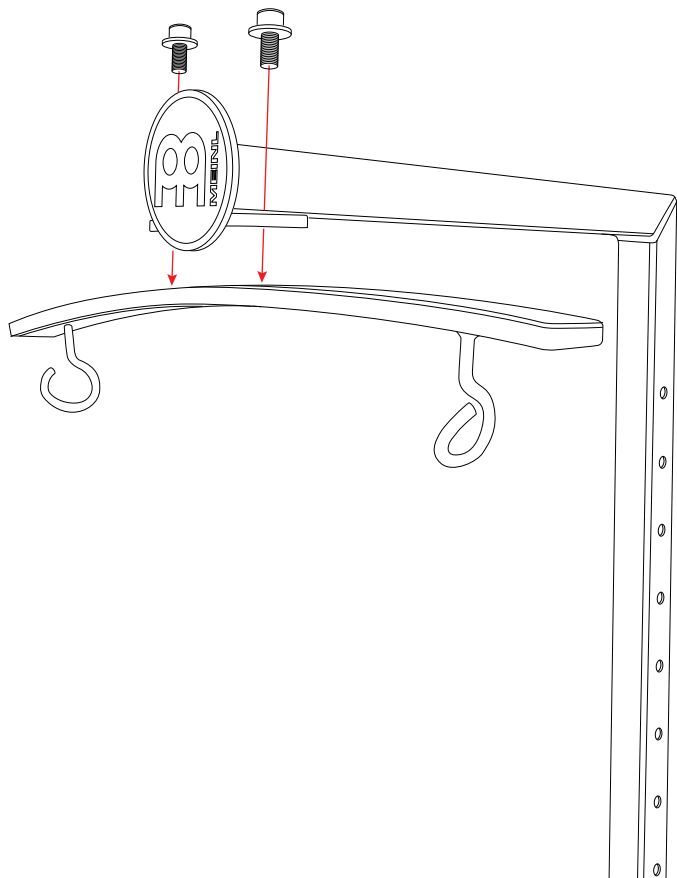
5.



6.



7.





PRO GONG / TAM TAM STAND

TMGS-2

The MEINL Pro Gong/Tam Tam Stand is especially made for bigger sized and heavier gongs / tam tams. It is engineered in a strong framless manner, in order for one to play easily. Furthmore the stand can be adjusted in height from a very low position up to a high position.

Up to 40" / 101cm gong / tam tam size

ROLAND MEINL MUSIKINSTRUMENTE GMBH & CO. KG
MUSIK-MEINL-STR. 1, 91468 GUTENSTETTEN, GERMANY
INFO@MEINLCYMBALS.COM
WWW.MEINLCYMBALS.COM