

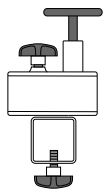
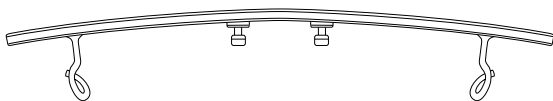
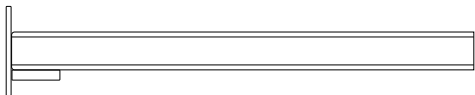


ASSEMBLY INSTRUCTION

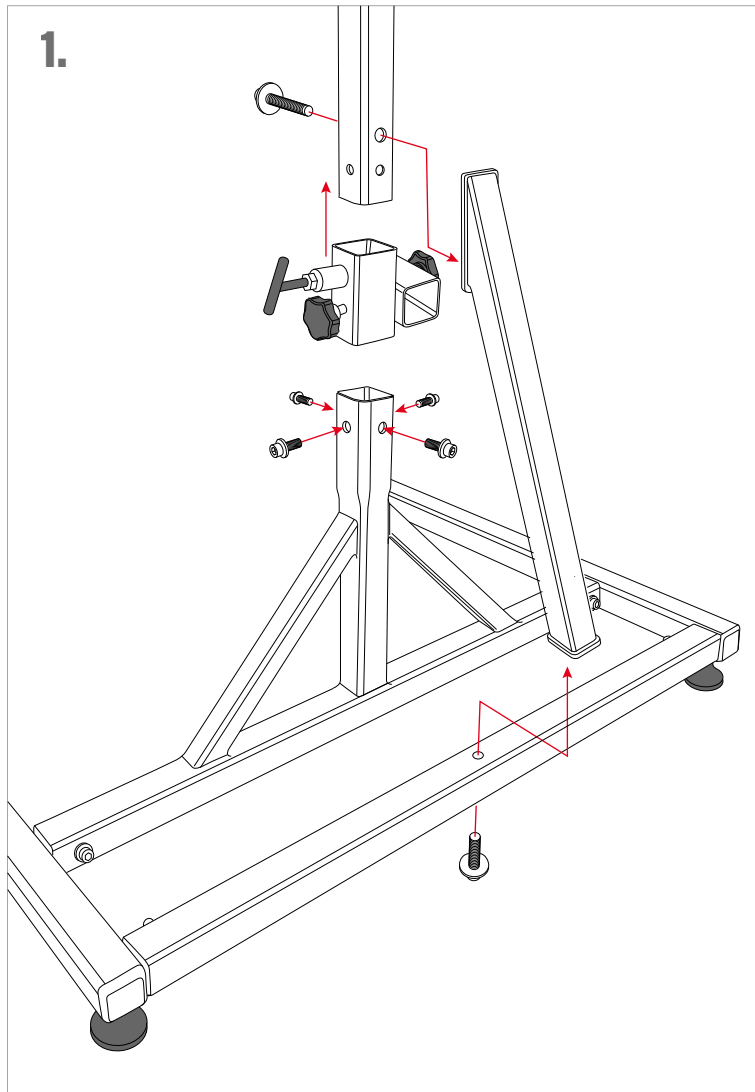
GONG / TAM TAM HOLDER

TMGS-2-G

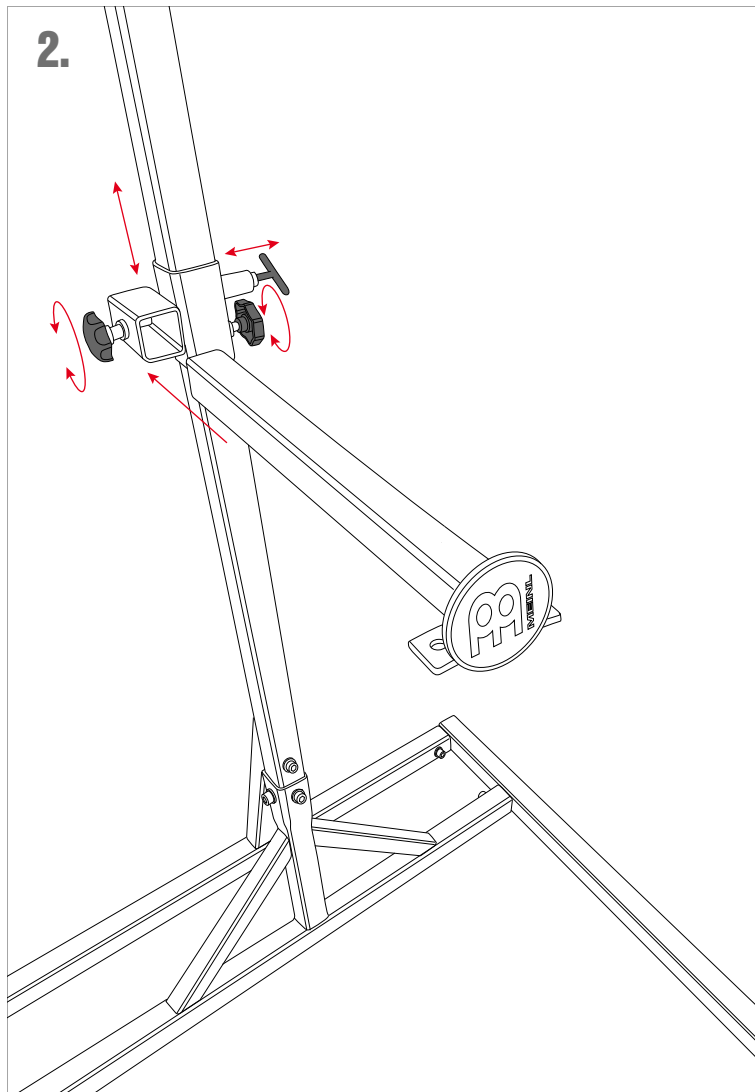
Applicable for the MEINL Pro Gong / Tam Tam
Stand (TMGS-2).



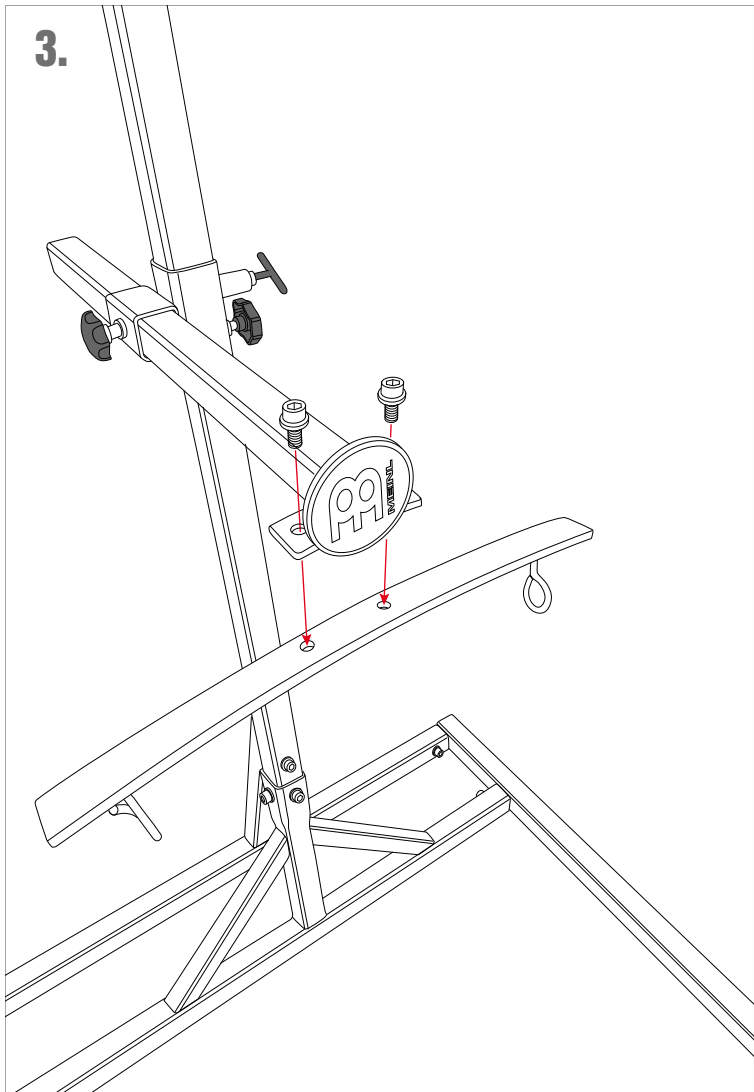
1.

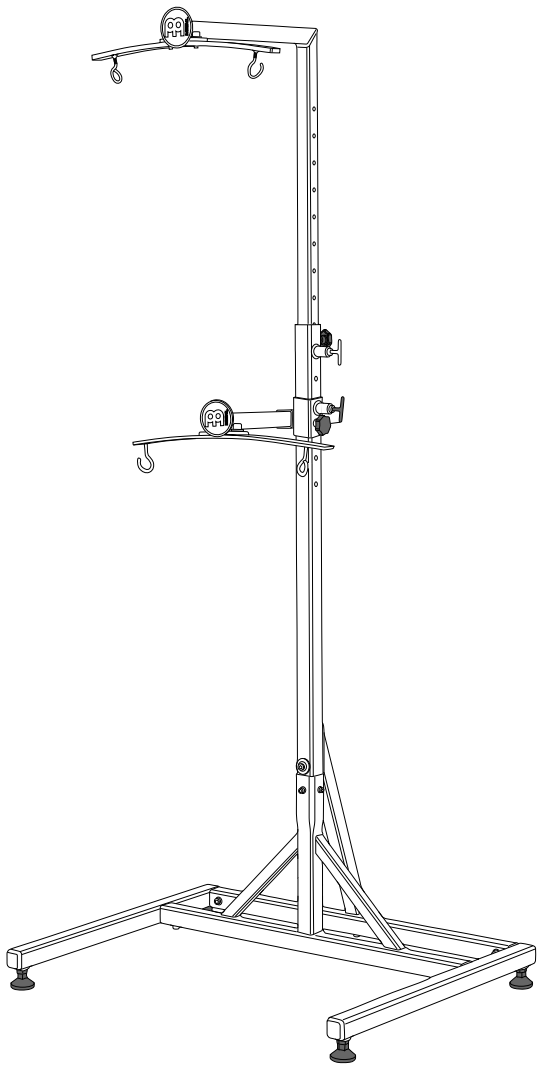


2.



3.







GONG / TAM TAM HOLDER

TMGS-2-G

The additional Gong Holder is an accessory for the MEINL Pro Gong / Tam Tam Stand to set up two gongs on top of each other. It is only applicable for the MEINL Pro Gong / Tam Tam Stand (TMGS-2).

Upper gong size up to 32" / 81cm.

Lower gong size up to 40" / 101cm.

ROLAND MEINL MUSIKINSTRUMENTE GMBH & CO. KG
MUSIK-MEINL-STR. 1, 91468 GUTENSTETTEN, GERMANY
INFO@MEINLCYMBALS.COM
WWW.MEINLCYMBALS.COM